

INSTALLATION INSTRUCTIONS FOR 600V RATED SURFACE RACEWAY

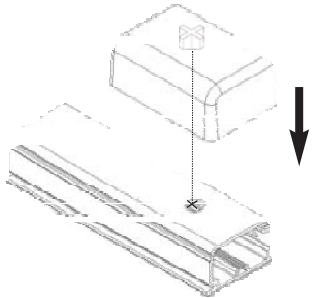


END CAP

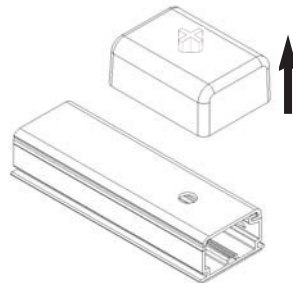
Part Numbers: TSRP1X-36, TSRP2X-36, TSRP3X-36

Replace "X" in the part number with the following letters for desired color: I (ivory), FW (office white), W (white)
Accessories are rated for power applications up to 600V as required by UL5A specifications.

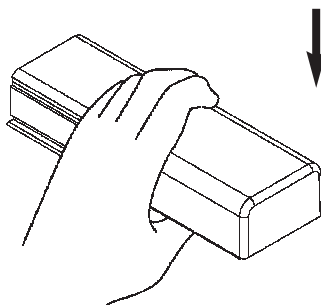
For Power Applications: Recommend to drill 3/16" diameter hole to secure fitting.



Make impression on raceway with end cap.



Remove cover and drill hole in raceway.



Mount end cap to raceway.

INSTALLATION INSTRUCTIONS FOR 600V RATED SURFACE RACEWAY

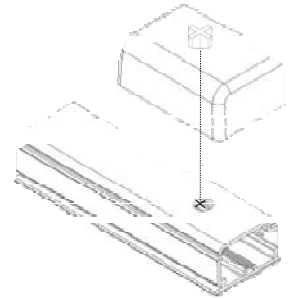


END CAP

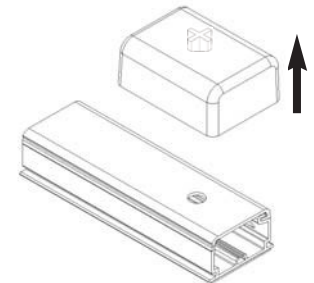
Part Numbers: TSRP1X-36, TSRP2X-36, TSRP3X-36

Replace "X" in the part number with the following letters for desired color: I (ivory), FW (office white), W (white)
Accessories are rated for power applications up to 600V as required by UL5A specifications.

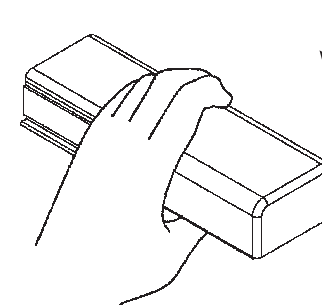
For Power Applications: Recommend to drill 3/16" diameter hole to secure fitting.



Make impression on raceway with end cap.



Remove cover and drill hole in raceway.



Mount end cap to raceway.