

HellermannTyton

INSTSRP21-1

INSTALLATION INSTRUCTIONS FOR 600V RATED SURFACE RACEWAY



TEE FITTING

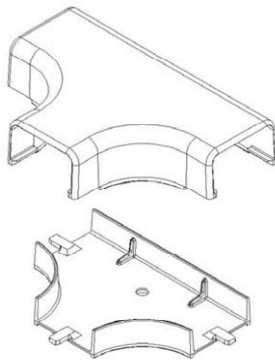
Part Numbers: TSRP1X-21-1, TSRP2X-21-1, TSRP3X-21-1

Replace "X" in the part number with the following letters for desired color: I (ivory), FW (office white), W (white)

Accessories are rated for power applications up to 600V as required by UL5A specifications.

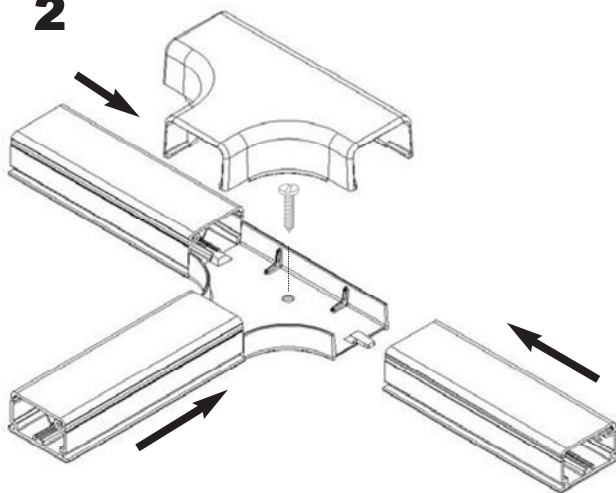
Appropriate mounting hardware should be used to secure the fitting to the mounting surface. Recommend use of #8 round or pan-head screws.

1

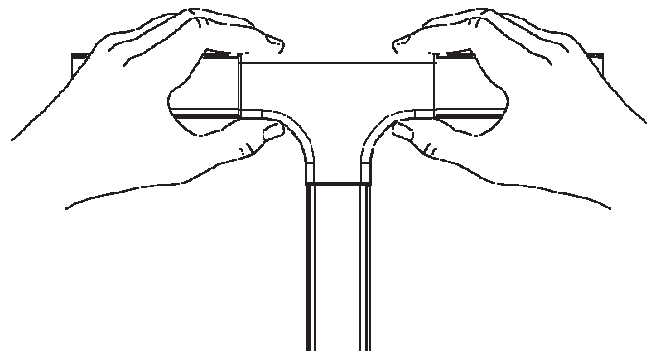


Raceway	Size	Tee
TSRP1	3/4"	TSRP1-21-1
TSRP2	1-1/4"	TSRP2-21-1
TSRP3	1-3/4"	TSRP3-21-1

2



3



HellermannTyton • 7930 N. Faulkner Rd. Milwaukee, WI 53224
Phone:(800)537-1512 • Fax:(800)848-9866
www.hellermann.tyton.com • email:corp@htamericas.com