

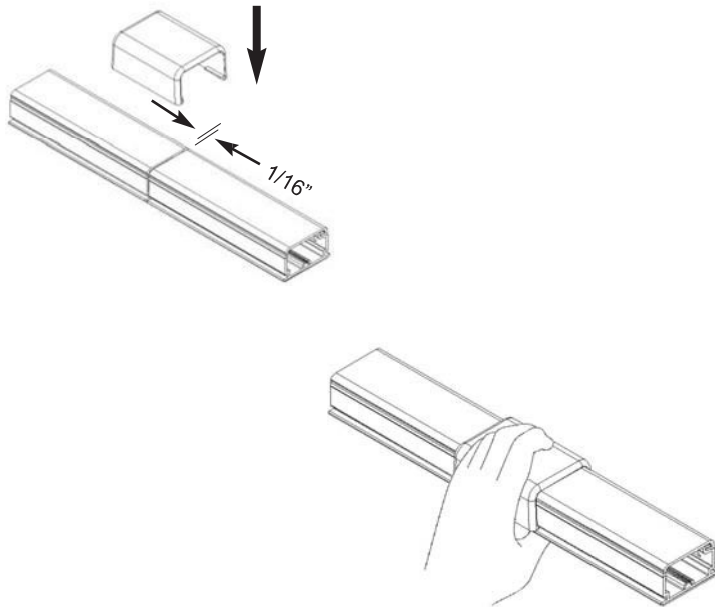
INSTALLATION INSTRUCTIONS FOR 600V RATED SURFACE RACEWAY



SPLICE COVER

Part Numbers: TSRP1X-14, TSRP2X-14, TSRP3X-14

Replace "X" in the part number with the following letters for desired color: I (ivory), FW (office white), W (white)
Accessories are rated for power applications up to 600V as required by UL5A specifications.



INSTALLATION INSTRUCTIONS FOR 600V RATED SURFACE RACEWAY



SPLICE COVER

Part Numbers: TSRP1X-14, TSRP2X-14, TSRP3X-14

Replace "X" in the part number with the following letters for desired color: I (ivory), FW (office white), W (white)
Accessories are rated for power applications up to 600V as required by UL5A specifications.

