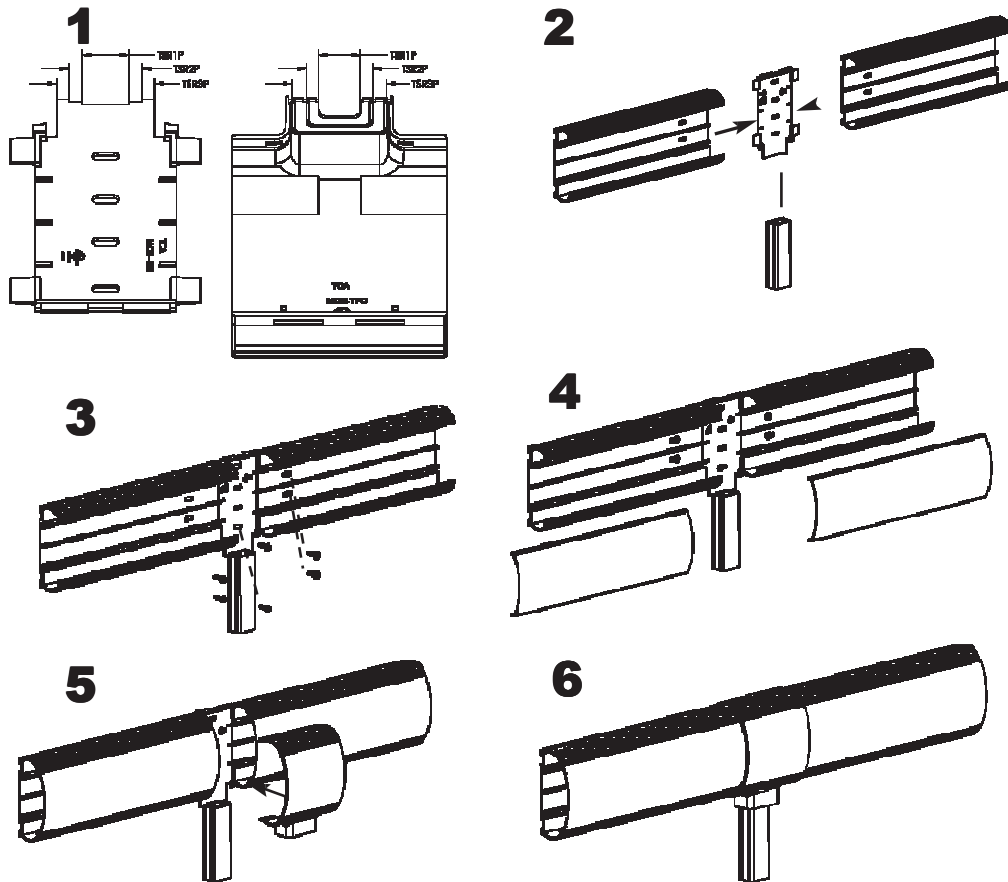


INSTALLATION INSTRUCTIONS FOR INFOSTREAM™ MULTI-CHANNEL RACEWAY SYSTEM

POWER TRANSITION FITTING

Part Number: MCR_PTF

Appropriate mounting hardware should be used to secure the raceway to the mounting surface.
Recommend use of #8 round or pan-head screws.
Break off tabs on cover with standard pliers to appropriate raceway size.



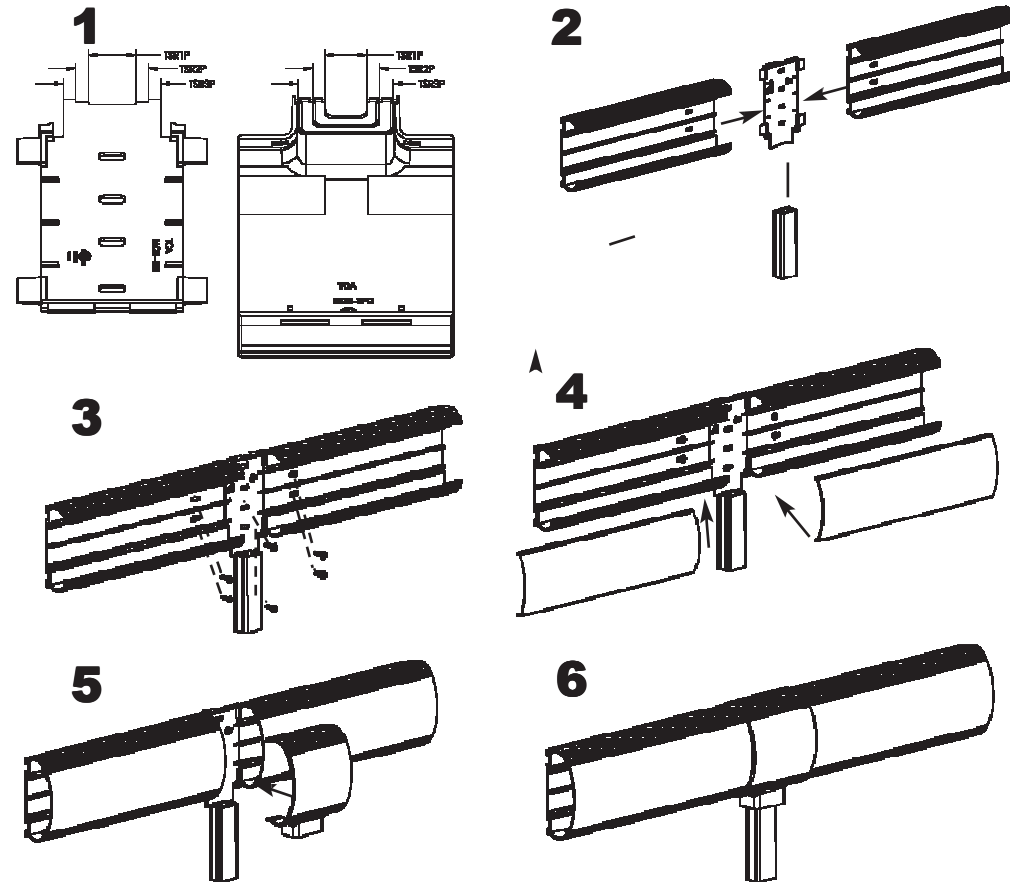
HellermannTyton • 7930 N. Faulkner Rd. Milwaukee, WI 53224
Phone:(800)537-1512 • Fax:(800)848-9866
www.hellermann.tyton.com • email:corp@htamericas.com

INSTALLATION INSTRUCTIONS FOR INFOSTREAM™ MULTI-CHANNEL RACEWAY SYSTEM

POWER TRANSITION FITTING

Part Number: MCR_PTF

Appropriate mounting hardware should be used to secure the raceway to the mounting surface.
Recommend use of #8 round or pan-head screws.
Break off tabs on cover with standard pliers to appropriate raceway size.



HellermannTyton • 7930 N. Faulkner Rd. Milwaukee, WI 53224
Phone:(800)537-1512 • Fax:(800)848-9866
www.hellermann.tyton.com • email:corp@htamericas.com